

Arowana Series



LED Explosion proof Light

EX MARK:Ex d IIB T6 Gb;Ex tb IIIC T80°C Db IP66
ATEX Certificate NO.:LCIE 12 ATEX 3069 X/01
IECEX Certificate NO.: IECEX CQM 12.0034X

★ KHJ-LED Explosion Proof Lighting

Features and benefits

1. Energy saving. Reduce the number of luminaires you need, providing excellent efficacy-more light where you need it.
2. Anti-glare. reduces glare in applications where the user may have direct visual contact with the light source.
3. Shock- and vibration-resistant- tempered glass , reduces the risk of premature failure.
4. OSRAM LED source. High efficacy lumen output and high CRI.
5. Driver module assembly -High efficiency LED drivers are designed to provide reliable operation in even the harshest environments.
6. High-strength aluminum alloy enclosure, can endure 20J impact. Ip66, can be used in marine and wet locations-robust construction suitable for saltwater and corrosive applications.
7. Ambient temperature from -40° C to 55° C.

Applications:

1. Petroleum Industry, Petrochemical Industry, Metallurgical Industry, Power Generation Industry, Power Transmission Industry, Machine Manufacturing. etc.
2. Drilling platform, single point moorings, oil tanks, workover platform, production platform, field tank, manifold center, pumping station, gasoline station, transformer station, coating plant ,warehouse .etc.

Executive Standard:

- IEC 60079-0:2007-10
- IEC 60079-1:2007-04
- IEC 60079-31:2008
- EN 60079-0:2009
- EN 60079-1:2007
- EN 60079-31:2009
- EN 60598-1:2008+A11:2009
- EN 55015:2013
- IEC 62321:2008

Division:

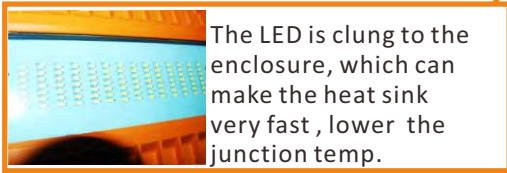
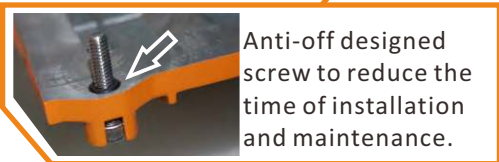
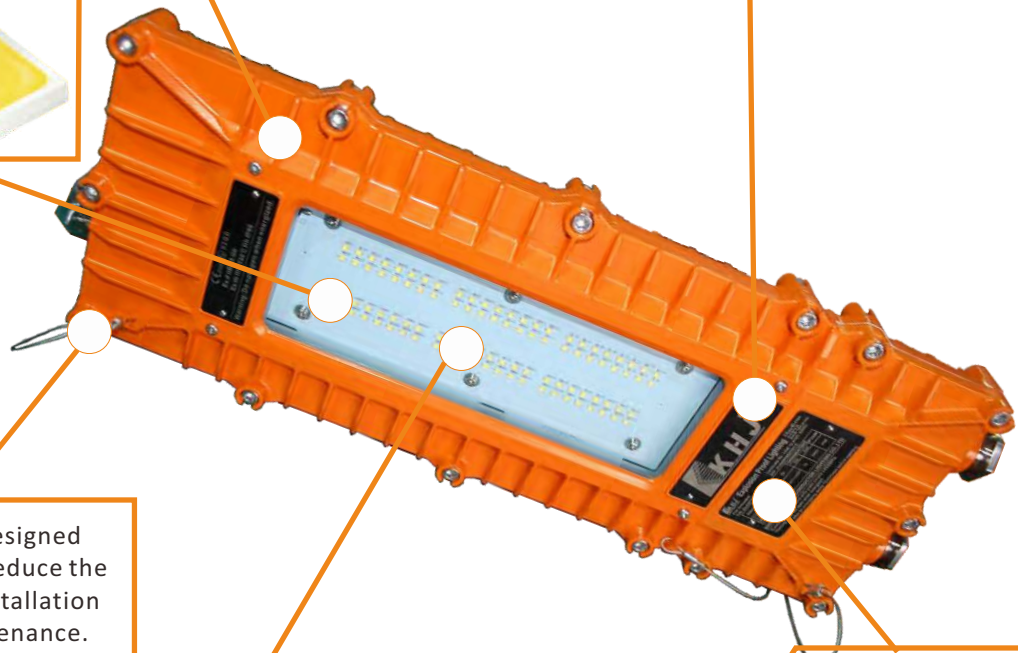
- ATEX Zone 1 & 21 and 2 & 22
- Class I Divison 1&2 Groups C、 D
- Class II Divison 1 Groups E、 F、 G
- Class II Divison 2 Groups F、 G
- Class III Divison 1
- Class III Divison 2



Certifications & Ratings:

- Ex d IIB T6 Gb;
- Ex tb IIIC T80°C Db IP 66
- ATEX Compliant
- IECEx Compliant
- ABS Compliant
- CE Compliant
- RoHS Compliant
- IP 66 Rated

★ CHARACTERISTIC DETAILS

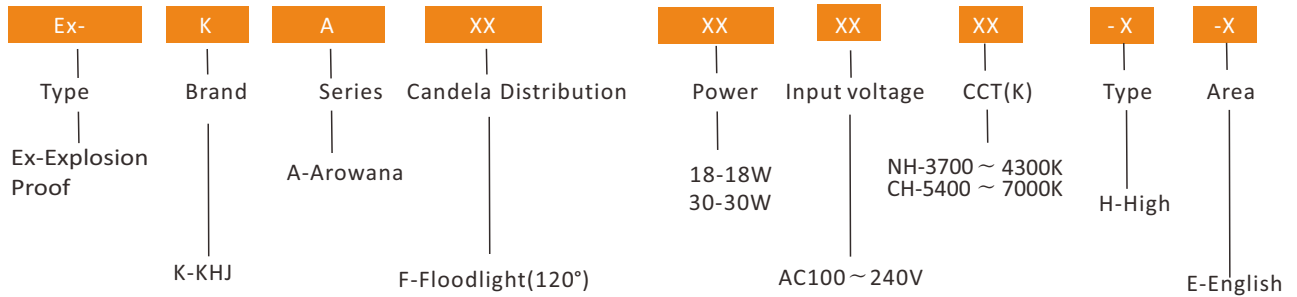


Characteristic details

★ PERFORMANCE PARAMETER



Product Definition



Electrical parameter

Product type	Rated input voltage (VAC)	Rated input current (A)	Voltage frequency(Hz)	Rated power (W)	LED input current(mA)	PF	THD
Ex-KAF18	100 ~ 240	0.18 ~ 0.08	50/60	18	70	>0.98	<10%
Ex-KAF30	100 ~ 240	0.31 ~ 0.13	50/60	30	50	>0.98	<10%

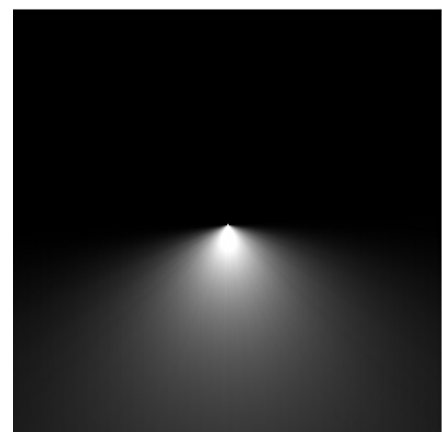
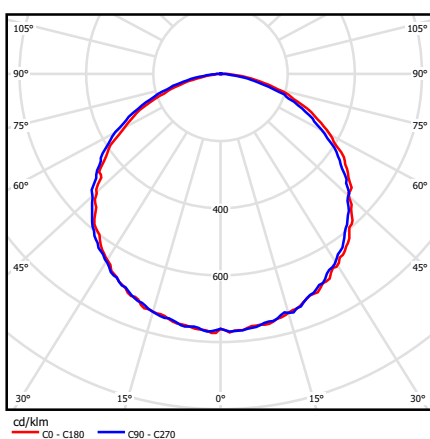
Photometric Parameter

Product type	P/N	Color temp.	CRI	CCT(K)	Luminous flux(lm)	Candela distribution
Ex-KAF18	Ex-KAF18NH-H-E	Natural white	70	3700 ~ 4300	2376	A
	Ex-KAF18CH-H-E	Cool white	70	5400 ~ 7000	2376	
Ex-KAF30	Ex-KAF30NH-H-E	Natural white	70	3700 ~ 4300	3960	
	Ex-KAF30CH-H-E	Cool white	70	5400 ~ 7000	3960	

Other parameter

Product type	Size (mm)	Weight (Kg)	Ambient temp.(°C)	Max.surface temp.(°C) (testin 25°C)	IP code	Temp.classification	Insulation
Ex-KAF18	480*180*62	5	-40~+55	36	IP66	T6	I
Ex-KAF30	480*180*62	5	-40~+55	41	IP66	T6	I

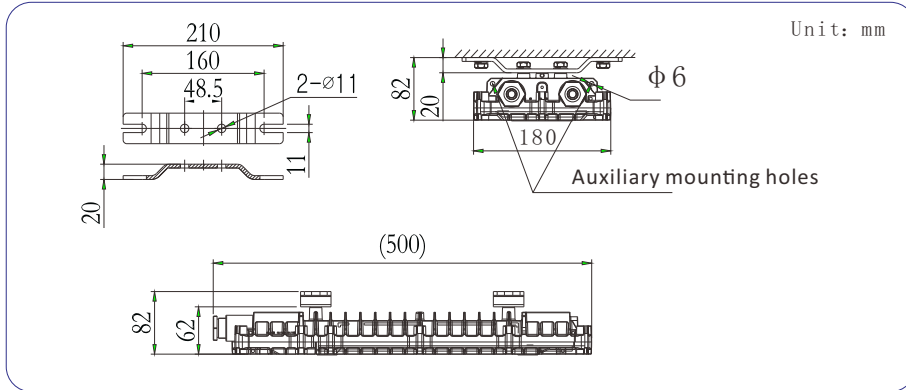
Candela Distribution



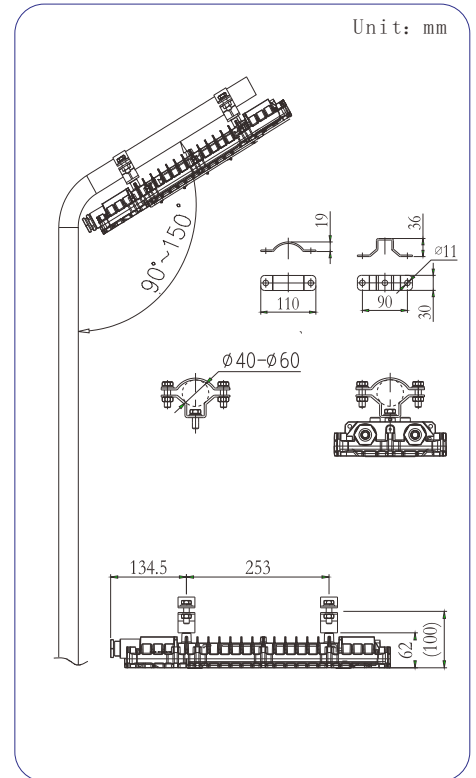
★ INSTALLATION METHOD



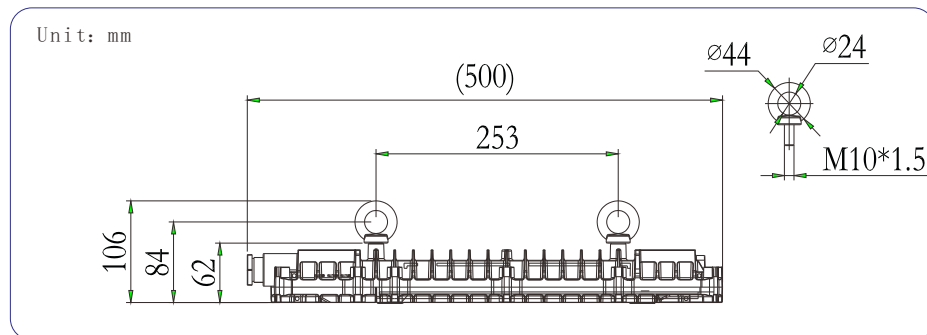
Installation method



Ceiling mount

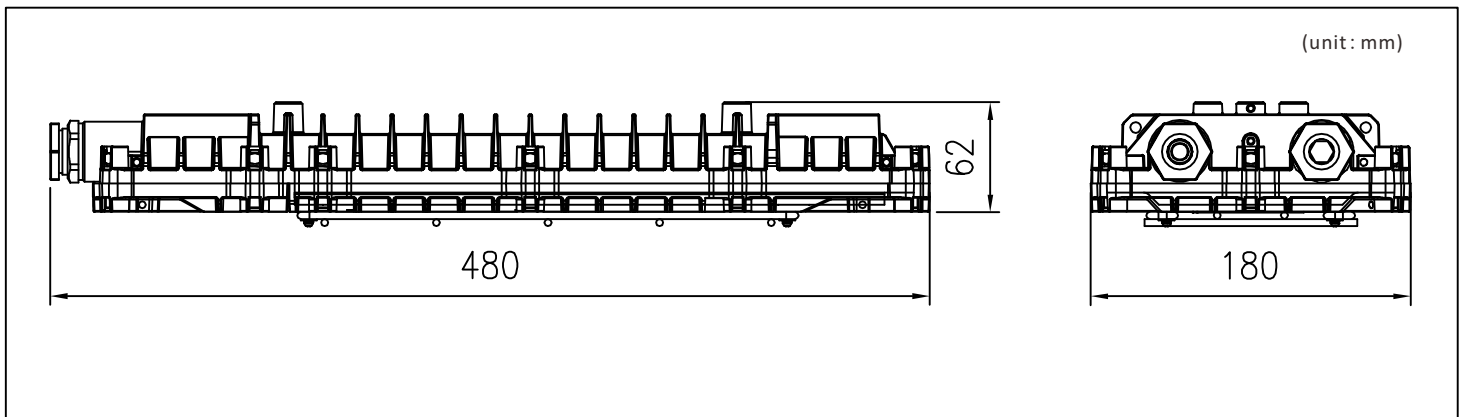


Pipe mount



Pendant mount

Size

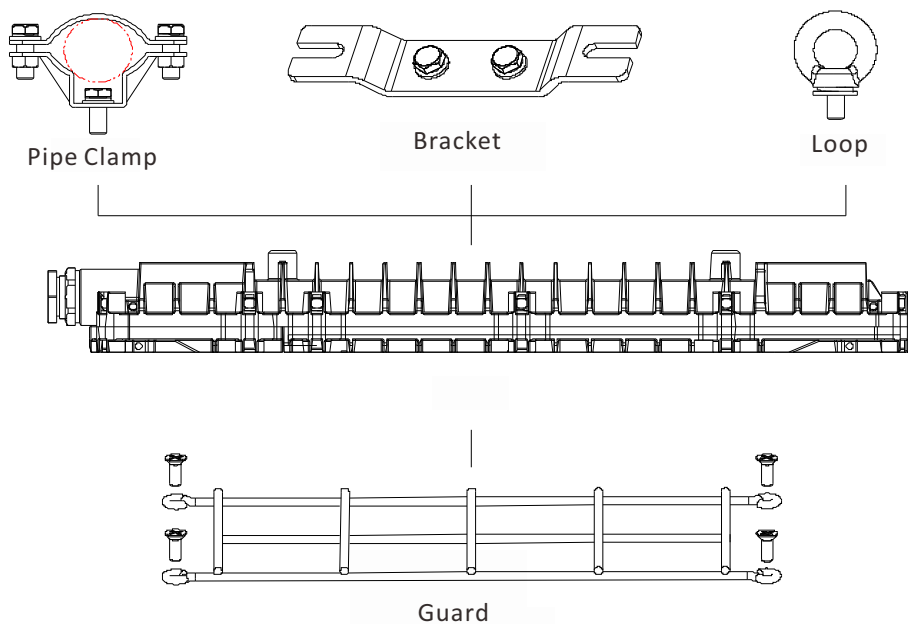




Optional parts

Installation accessories	Picture	Material	Weight(Unit:Kg)	QTY
Bracket		Q235	0.4	2
Pipe Clamp		SUS304	0.27	2
Guard		SUS304	0.1	1
Loop		45#	0.1	2

Accessories



⚠ Caution

- 1.To avoid the risk of fire, explosion, or electric shock, this product should be installed, inspected, and maintained by a qualified electrician only, in accordance with all applicable electrical codes.
- 2.To avoid electric shock:
Be certain electrical power is OFF before and during installation and maintenance.
Luminaire must be supplied by a wiring system with an equipment grounding conductor.
- 3.To avoid burning hands:
Make sure lens and housing are cool when performing maintenance.
- 4.To avoid explosion:
 - 1)Make sure the supply voltage is the same as the luminaire voltage.
 - 2)Do not install where the marked operating temperatures exceed the ignition temperature of the hazardous atmosphere.
 - 3)Do not operate in ambient temperatures above those indicated on the luminaire nameplate.
 - 4)All gasket seals must be clean.
 - 5)Before opening, electrical power to the luminaire must be turned off. Keep tightly closed when in operation.

Package Check

- 1.Check the carton and all the components according to the packing list.
- 2.Make sure the product is in good conditions.

Transportation

Please keep this product from heavy mechanical shock, exposure to strong sunshine, throwing, rolling and stress during transport.

Storage

Kept in dry, clean and well-ventilated, non-corrosive medium warehouse, the ambient temperature should be -40°C to 55°C.

After-sales service

Installation and maintenance must be according to the instruction.
If customer can not deal with it by themselves, please contact with sales department.

Contact

Chin Power LTD. -----
Address: 2/219-220 Phaholyothin Rd., Samsannai, Phayathai, Bangkok, Thailand 10400

Tel: +66-2615-0660
E-mail: info@chinpower.net

Fax: +66-2615-0550
Web: www.chinpower.net