

Forest Frog Series



LED Explosion proof light



EX MARK: Ex d II C T6 or T5 or T4 Gb
Ex tD A21 IP66 T80°C or T95°C or T130°C
IECEX Certificate No.: IECEX CQM 15.0039X

★ KHJ-LED Explosion Proof Lighting

Features and benefits

1. Energy saving. Reduce the number of luminaires you need, providing excellent efficacy-more light where you need it.
2. Anti-glare, reduces glare in applications where the user may have direct visual contact with the light source.
3. Shock- and vibration-resistant- tempered glass , reduces the risk of premature failure.
4. OSRAM source. High efficiency lumen output and high CRI.
5. Driver module assembly -High efficiency LED drivers are designed to provide reliable operation in even the harshest environments.
6. High-strength aluminum alloy enclosure, can endure 20J impact. IP66, can be used in marine and wet locations-robust construction suitable for saltwater and corrosive applications.
7. Ambient temperature from -40° C to 55° C.

Applications:

1. Petroleum Industry, Petrochemical Industry, Metallurgical Industry, Power Generation Industry, Power Transmission Industry, Machine Manufacturing. etc.
2. Drilling platform, single point moorings, oil tanks, work over platform, production platform, field tank, manifold center, pumping station, gasoline station, transformer station, coating plant ,warehouse .etc.

Executive standard:

- EN 60079-0:2009
- EN 60079-1:2007
- EN 61241-0:2004
- EN 61241-1:2004
- IEC 60079-0:2007
- IEC 60079-1:2007
- IEC 61241-0:2004
- IEC 61241-1:2004
- EN 60598-1:2008+A11:2009
- EN 55015:2013
- IEC 62321:2009

Division:

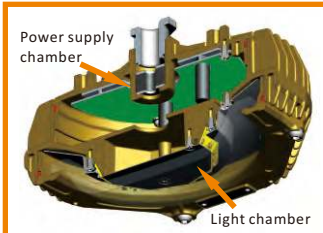
- Class I Division 1&2 Groups A、 B、 C、 D
- Class II Division 1 Groups E、 F、 G
- Class II Division 2 Groups F、 G
- Class III Division 1
- Class III Division 2



Certifications & Ratings:

- Ex d II C T6 or T5 or T4 Gb
- Ex tD A21 IP66 T80°C or T95°C or T130°C
- ATEX Compliant
- IECEx Compliant
- ABS Compliant
- CE Compliant
- RoHS Compliant
- IP 66 Rated

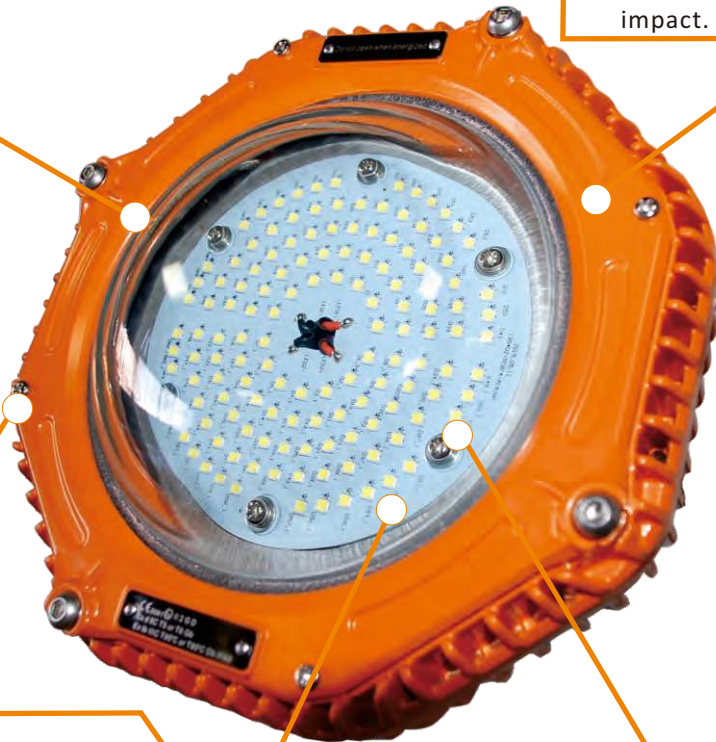
★ CHARACTERISTIC DETAILS



Terminal compartment is isolated with the LED source compartment. Enhance isolation, ensure safety. Much easier for connection and maintenance.

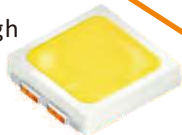


Explosion proof aluminium alloy enclosure, high performance of anti-impact. Can endure 20J impact.



Anti-off designed screw to reduce the time for installation and maintenance.

OSRAM LED source ,high efficacy and lumen output.



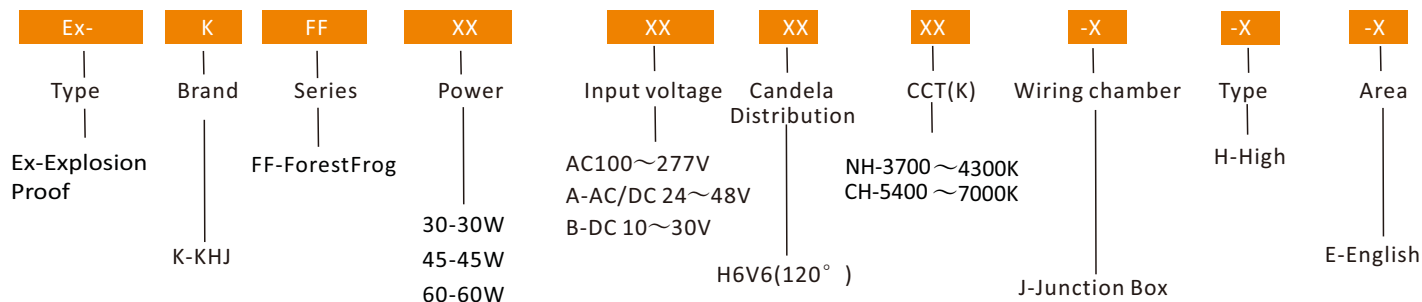
The LED is clung to the enclosure, which can make the heat sink very fast , Lower the junction temp.

Characteristic details

★ PERFORMANCE PARAMETER



Production Definition



Performance parameter

Product type	Rated input Voltage (VAC)	Rated input Voltage (VDC)	Rated input current (A)	Frequency (Hz)	Rated power (W)	LED input current (mA)	PF	THD
Ex-KFF30	100~277	/	0.3~0.11	50/60	30	60	>0.98	<10%
Ex-KFF30A	24~48	24~48	1.28~0.64	50/60	30	60	>0.98	<10%
Ex-KFF30B	/	10~30	3.06~1.02	/	30	60	>0.98	<10%
Ex-KFF45	100~277	/	0.46~0.11	50/60	45	71	>0.98	<10%
Ex-KFF45A	24~48	24~48	1.91~0.96	50/60	45	71	>0.98	<10%
Ex-KFF45B	/	10~30	4.59~1.53	/	45	71	>0.98	<10%
Ex-KFF60	100~277	/	0.61~0.22	50/60	60	71	>0.98	<10%
Ex-KFF60A	24~48	24~48	2.55~1.28	50/60	60	71	>0.98	<10%
Ex-KFF60B	/	10~30	6.12~2.04	/	60	71	>0.98	<10%

Photometric parameter

P/N	Color temp	CRI	CCT(K)	Luminous flux(lm)
Ex-KFF30H6V6NH-J-H-E	Natural white	70	3700~4300	3960
Ex-KFF30H6V6CH-J-H-E	Cool white	70	5400~7000	3960
Ex-KFF45H6V6NH-J-H-E	Natural white	70	3700~4300	5940
Ex-KFF45H6V6CH-J-H-E	Cool white	70	5400~7000	5940
Ex-KFF60H6V6NH-J-H-E	Natural white	70	3700~4300	7920
Ex-KFF60H6V6CH-J-H-E	Cool white	70	5400~7000	7920

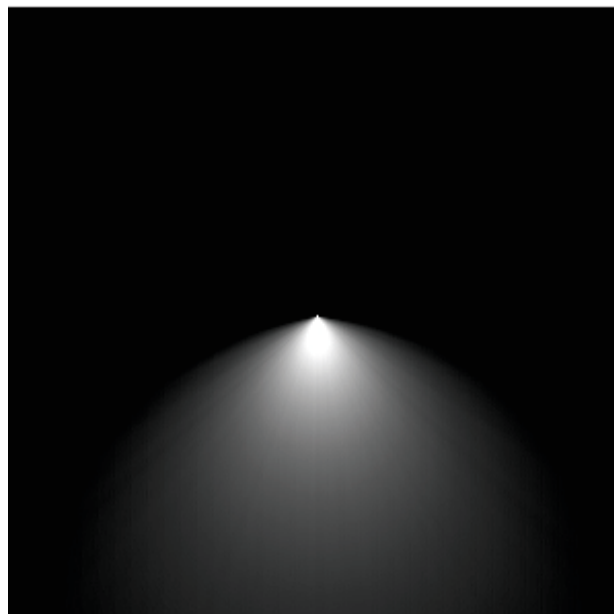
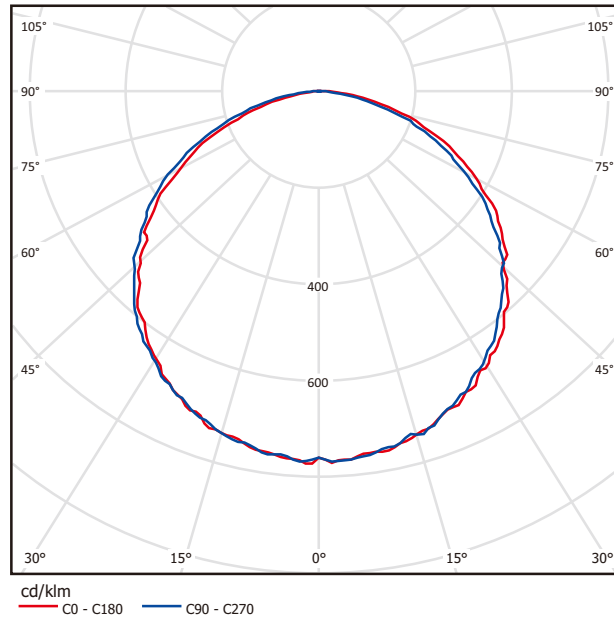
Other parameter:

Product type	Size(mm)	Weight (Kg)	Ambient temp. (°C)	Max. surface temp. (25°C test temp.)	Temp. classification	IP Code	Insulation
Ex-KFF30	φ 220*220	3.3	-40~+40	36	T6	IP66	I
			-40~+55	36	T5		
Ex-KFF45	φ 220*220	3.3	-40~+40	59	T6	IP66	I
			-40~+55	59	T5		
Ex-KFF60	φ 220*220	3.3	-40~+40	74	T5	IP66	I
			-40~+55	74	T4		

★ CANDELA DISTRIBUTION



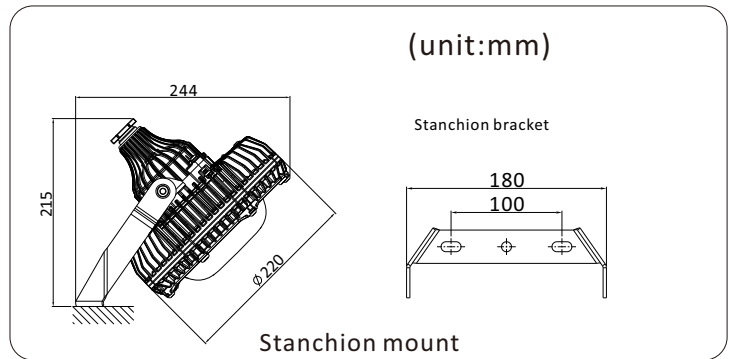
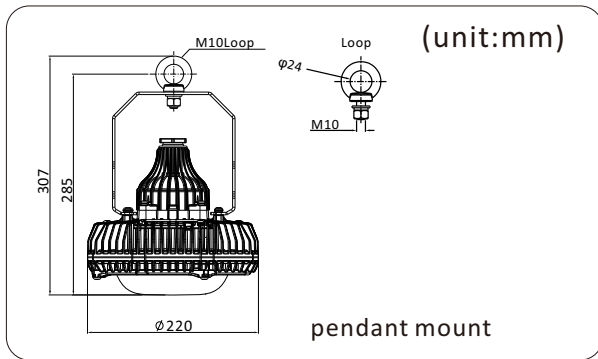
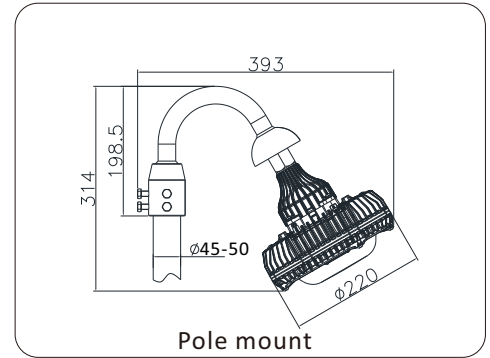
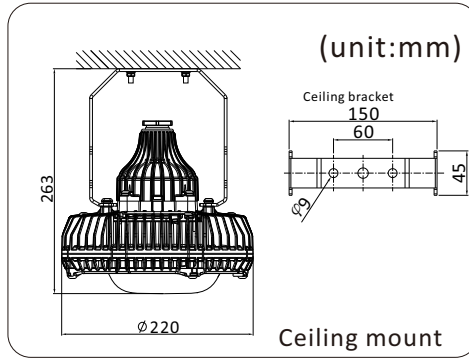
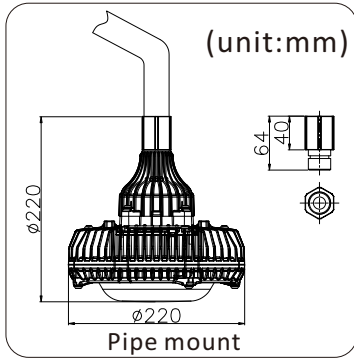
Candela distribution



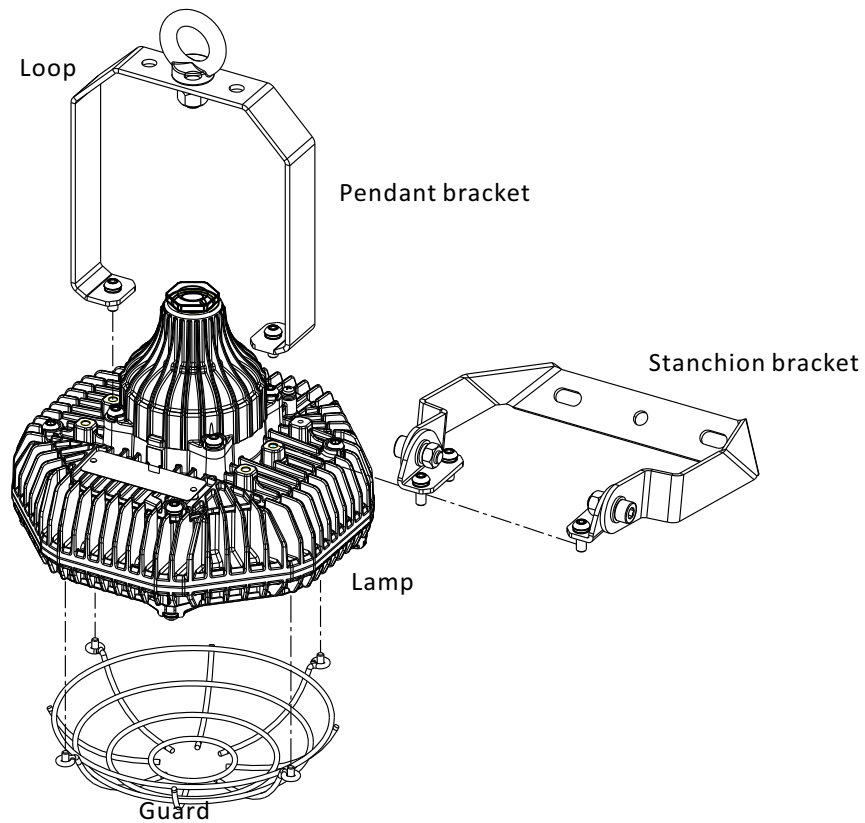
★ Installation method



Installation method









Installation parts





Option parts

NO.	Installtion accessories	Picture	Material	Weight (Kg)	QTY	Remarks
1	Bracket		Q235	0.24	1	
2	Loop		Q235	0.36	1	
3	Stanchion bracket		Q235	0.47	1	
4	Pipe connector		SUS304	0.28	1	
5	Pole connect bracket		Q235	1.2	1	
5	Guard		SUS304	0.13	1	

Caution

- 1.To avoid the risk of fire, explosion, or electric shock, this product should be installed, inspected, and maintained by a qualified electrician only, in accordance with all applicable electrical codes.
- 2.To avoid electric shock:
Be certain electrical power is OFF before and during installation and maintenance.
Luminaire must be supplied by a wiring system with an equipment grounding conductor.
- 3.To avoid burning hands:
Make sure lens and housing are cool when performing maintenance.
- 4.To avoid explosion:
 - 1)Make sure the supply voltage is the same as the luminaire voltage.
 - 2)Do not install where the marked operating temperatures exceed the ignition temperature of the hazardous atmosphere.
 - 3)Do not operate in ambient temperatures above those indicated on the luminaire nameplate.
 - 4)All gasket seals must be clean.
 - 5)Before opening, electrical power to the luminaire must be turned off. Keep tightly closed when in operation.

Package Check

1. Check the carton and all the components according to the packing list.
2. Make sure the product is in good conditions.

Transportation

Please keep this product from heavy mechanical shock, exposure to strong sunshine, throwing, rolling and stress during transport.

Storage

Kept in dry, clean and well-ventilated, non-corrosive medium warehouse, the ambient temperature should be -40°C to 55°C.

After-sales service

Installation and maintenance must be according to the instruction.
If customer can not deal with it by themselves, please contact with sales department.

Contact

Chin Power LTD. -----
Address: 2/219-220 Phaholyothin Rd., Samsannai, Phayathai, Bangkok, Thailand 10400

Tel: +66-2615-0660
E-mail: info@chinpower.net

Fax: +66-2615-0550
Web: www.chinpower.net