

Polaris Series

# LED Explosion proof Exit light



Ex Mark: Ex ib mb IIC T6 Gb

★ KHJ-LED Explosion Proof Lighting

## Features and benefits

1. Robust light alloy housing
2. Power saving LED technology;
3. Overcharge and over discharge protection make sure good performance.
4. Luminaire with self-contained battery unit and automatic function monitoring;
5. Nickel-cadmium battery, 500 cycles life span;

## Application:

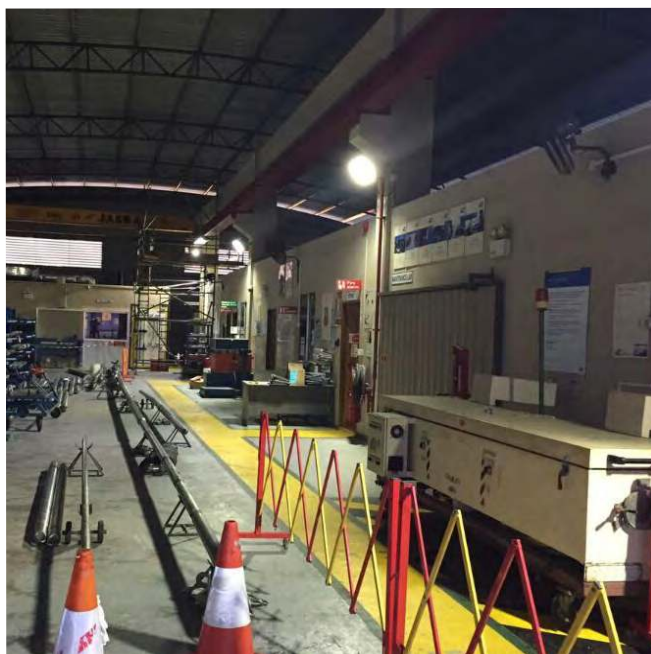
Petroleum Industry, Petrochemical Industry, Metallurgical Industry, Power Generation Industry, Power Transmission Industry, Machine Manufacturing. etc.

## Executive standard:

- IEC 60079-0:2007
- IEC 60079-11:2006
- IEC 60079-18: 2004

## Division:

- ATEX Zone 1 & 21 and 2 & 22
- Class I Div 1&2 Groups A,B,C,D
- Class II Div 1 Groups E,F,G
- Class II Div 2 Groups F,G
- Class III Div 1
- Class III Div 2



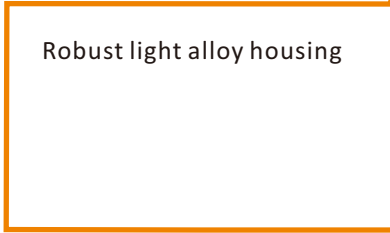
## Ex Mark&Certifications:

- Ex mb ib IIC T6 Gb
- CE Compliant
- RoHS Compliant

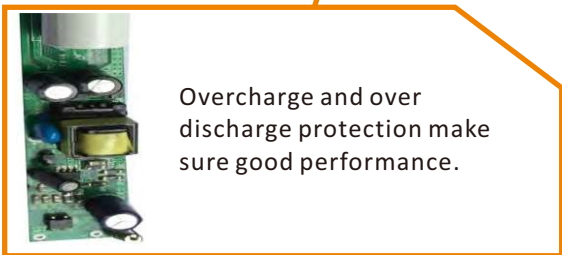
★ CHARACTERISTIC DETAILS



Power-saving LED technology.



Robust light alloy housing

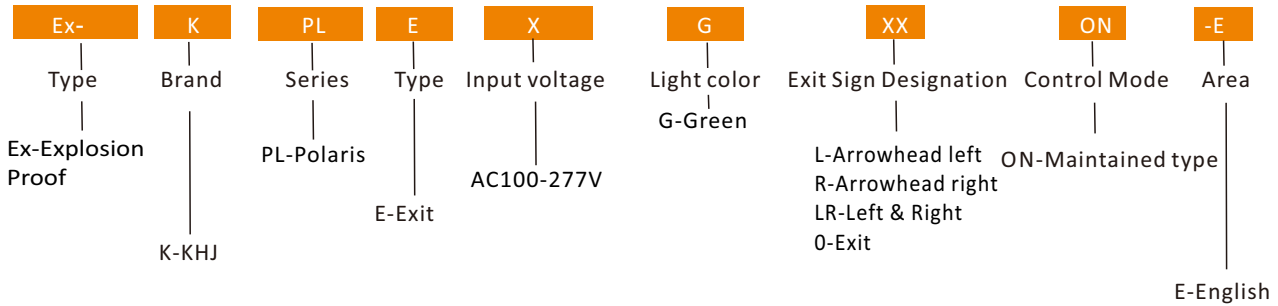


Overcharge and over discharge protection make sure good performance.



Luminaire with self-contained battery unit and automatic function monitoring

## Product Definition



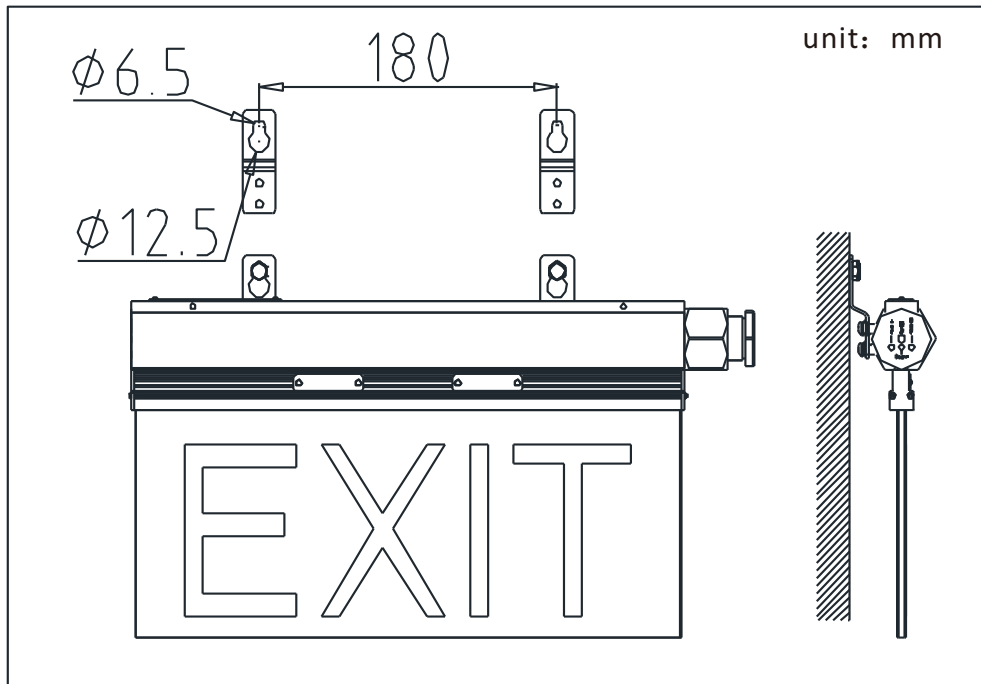
## Electrical Parameter

Product type		K-PSEG-L-ON-E	K-PSEG-R-ON-E	K-PSEG-LR-ON-E	K-PSEG-O-ON-E
Exit Sign Designation		Arrowhead left	Arrowhead right	Left & Right	Exit
Ex type		Ex mb ib IIC T6 Gb			
Temp. classification		T6			
Input voltage(V)		100 ~ 277			
Rated current(mA)		<75			
Battery	Charge current(A)	0.15			
	Rated capacity(Ah)	2.6			
	Type	Ni-Cd			
	Lifespan	500 Cycles			
	Back up(min)	180			
	Charging time(h): (after full discharge)	12			
Type		Maintained type			
Source		LED			
Power(W)	Normal	2			
	Emergency	0.5			
LED Color		Green			
Wavelength(nm)		515 ~ 525			
luminous intensity (cd/m²)	Normal	86			
	Emergency	80			
Size(mm)		376*45*198			
Weight (Kg)		1.5			
Ambient temp.(°C)		-20°C+55°C			
IP Code		IP54			
Insulation		I			

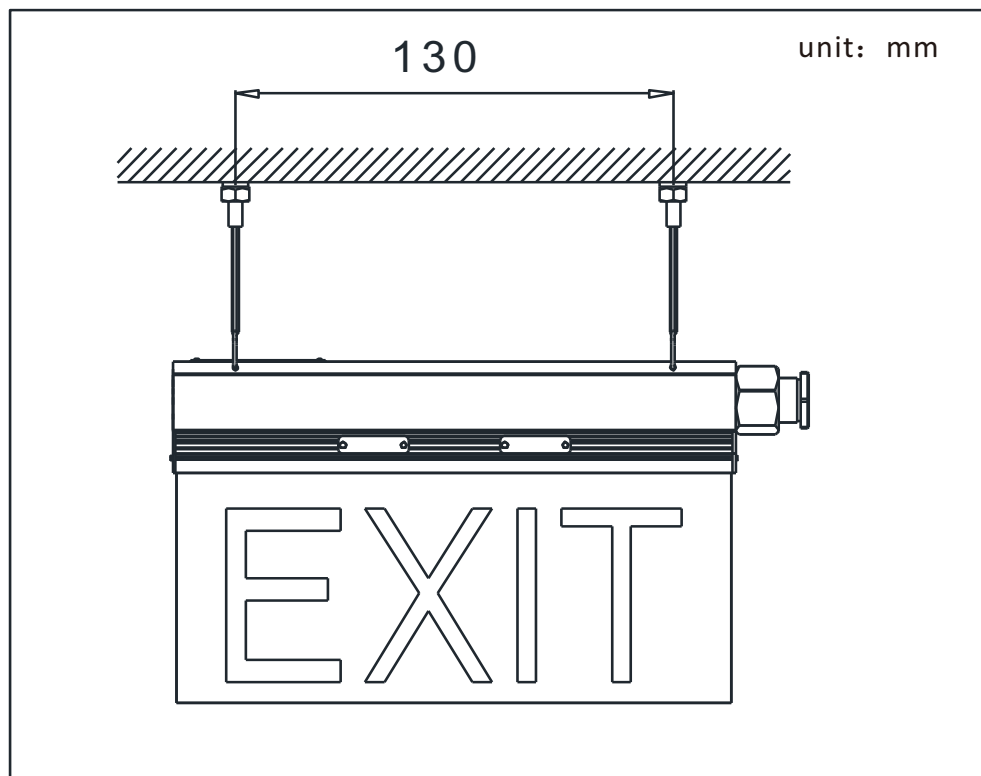
# ★ INSTALLATION METHOD



## Installation Method



Wall Mount



Pendant Mount

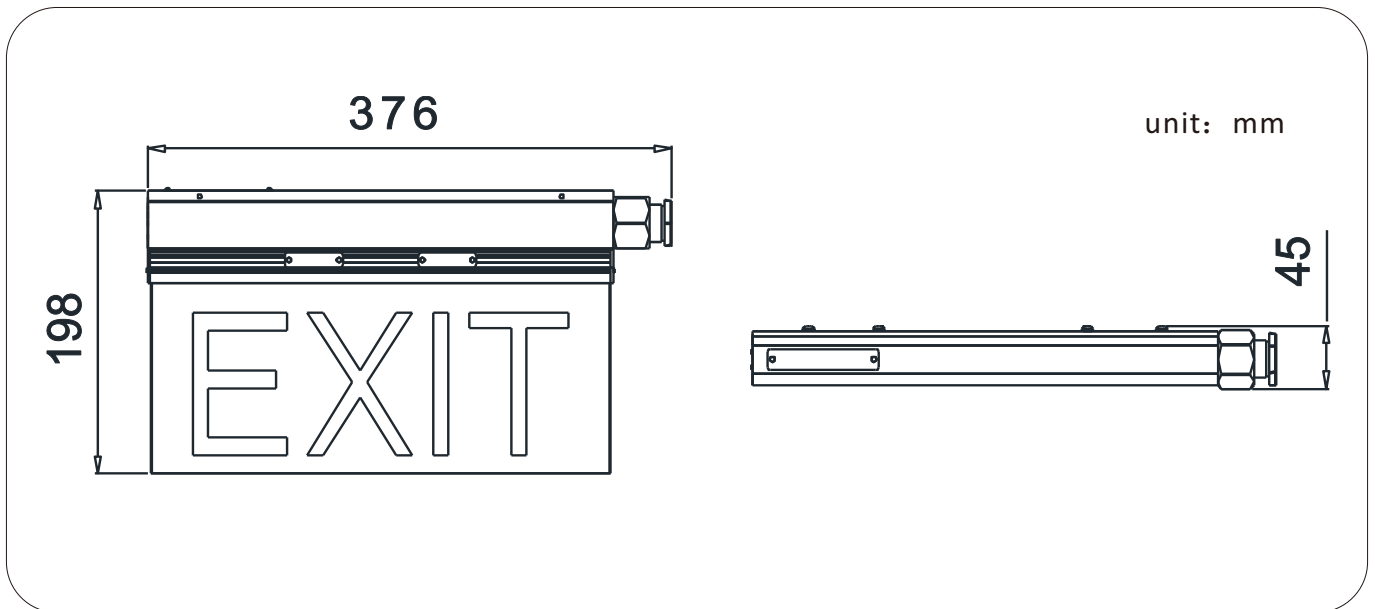
# ★ ACCESSORIES



## Optional Parts

No.	Installation accessories		Material	Weight(g)	QTY	Remarks
1	Bracket		SUS304	25	2	
2	Steel chain		Stainless Steel	3	2	

## Size



## ⚠ Caution:

- 1.To avoid the risk of fire,explosion,or electric shock,this product should be installed,inspected,and maintained by a qualified electrician only,in accordance with all applicable electrical codes.
- 2.To avoid electric shock:Be certain electrical power is OFF before and during installation and maintenance.Luminaire must be supplied by a wiring system with an equipment grounding conductor.
- 3.To avoid burning hands:Make sure lens and housing are cool when performing maintenance.
- 4.To avoid explosion:
  - 1)Make sure the supply voltage is the same as the luminaire voltage.
  - 2)Do not install where the marked operating temperatures exceed the ignition temperature of the hazardous atmosphere.
  - 3)Do not operate in ambient temperatures above those indicated on the luminaire nameplate.
  - 4)All gasket seals must be clean.
  - 5)Before opening,electrical power to the luminaire must be turned off.Keep tightly closed when in operation.

## Package Check

1. Check the carton and all the components according to the packing list.
- 2.Make sure the product is in good conditions.

## Transportation

Please keep this product from heavy mechanical shock, exposure to strong sunshine, throwing, rolling and stress during transport.

## Storage

Kept in dry,clean and well-ventilated ,non-corrosive medium warehouse,the ambient temperature should be -20°C to 55°C.

## After-sales service

Installation and maintenance must be according to the instruction.  
If customer can not deal with it by themselves ,please contact with sales department.

## Contact

Chin Power LTD. -----  
Address: 2/219-220 Phaholyothin Rd., Samsannai, Phayathai, Bangkok, Thailand 10400

Tel: +66-2615-0660  
E-mail: info@chinpower.net

Fax: +66-2615-0550  
Web: www.chinpower.net