

Swordfish Series



LED Explosion proof Floodlight

Ex Mark: Ex d eb op is II B T6 Gb
Ex tb op is III G T80°C Db

★ KHJ-LED Explosion Proof Lighting

Features and benefits

1. Energy saving. Reduce the number of luminaires you need, providing excellent efficacy-more light where you need it.
2. Anti-glare. reduces glare in applications where the user may have direct visual contact with the light source.
3. Shock- and vibration-resistant- tempered glass , reduces the risk of premature failure.
4. OSRAM LED source. High efficacy lumen output and high CRI.
5. Lifespan L-70 > 120, 000 hours.
6. Driver module assembly -High efficiency LED drivers are designed to provide reliable operation in even the harshest environments.
7. Copper -Free Aluminum enclosure, can endure 10J impact. IP66, can be used in marine and wet locations-robust construction suitable for saltwater and corrosive applications.
8. Different installation methods.
9. Safety chain design. Prevent any fall-off.
10. High power factor, energy saving.
11. Ambient temperature from -20° C to 55° C.

Applications:

1. Petroleum Industry, Petrochemical Industry, Metallurgical Industry, Power Generation Industry, Power Transmission Industry, Machine Manufacturing. etc.
2. Drilling platform, single point moorings, oil tanks, workover platform, production platform, field tank, manifold center, pumping station, gasoline station, transformer station, coating plant, warehouse .etc.

Executive standard:

- IEC 60079-0:2007
- IEC 60079-1:2007
- IEC 60079-7:2006
- EN 60079-0:2009
- EN 60079-1:2007
- EN 60079-7:2007
- EN 60598-1:2008+A11:2009
- EN 55015:2013
- IEC 62321:2008

Division:

- ATEX Zone 1 & 21 and 2 & 22



Certifications & Ratings:

- Ex d eb op is II B T6 Gb
- Ex tb op is III C T80° C Db
- ATEX Compliant
- IECEx Compliant
- ABS Compliant
- CE Compliant
- RoHS Compliant
- IP 66 Rated

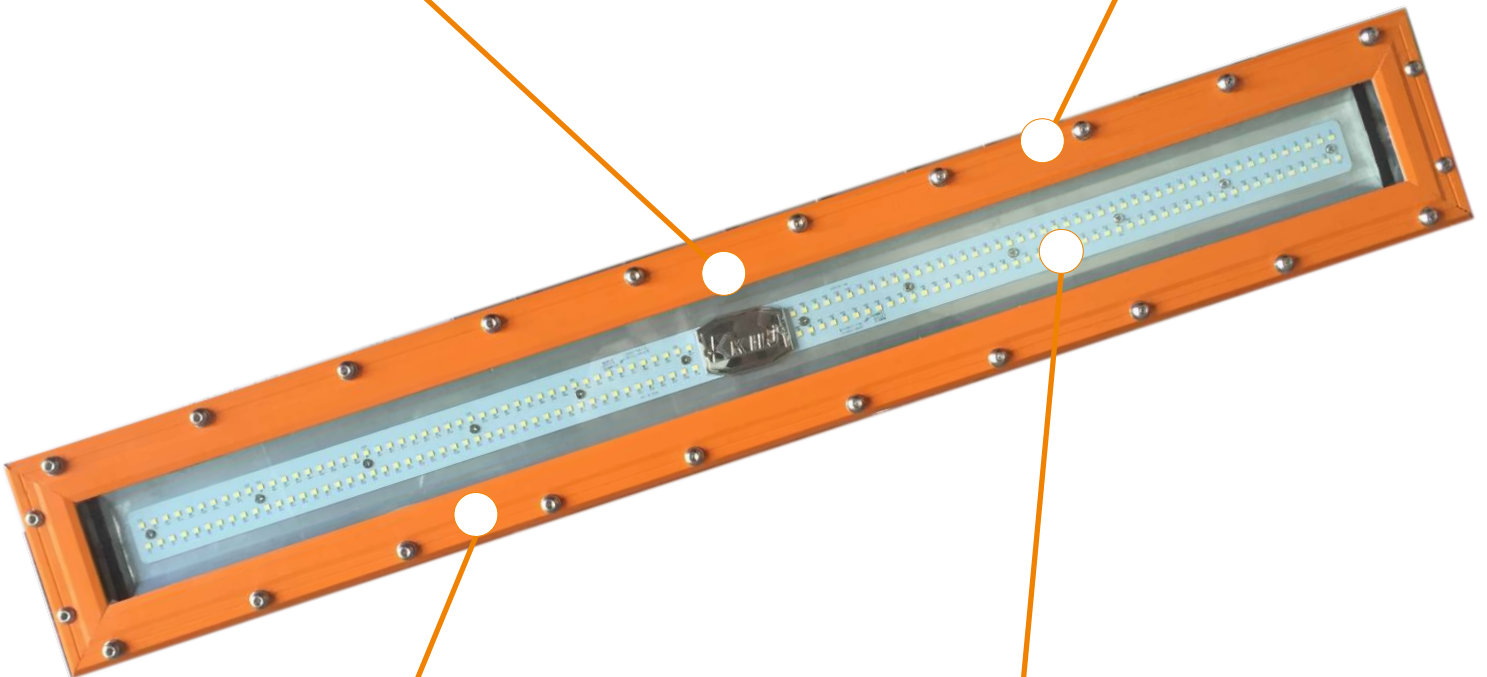
★ CHARACTERISTIC DETAILS



OSRAM LED source ,high efficacy and lumen output.



Industrial aluminium alloy enclosure, high performance of anti- impact. Can endure 10J impact.



Copper -Free Aluminum enclosure , anti-corrosion. Suitable for different application.



LED clung to the enclosure which make heat dissipation fast. Lower the junction Temp.

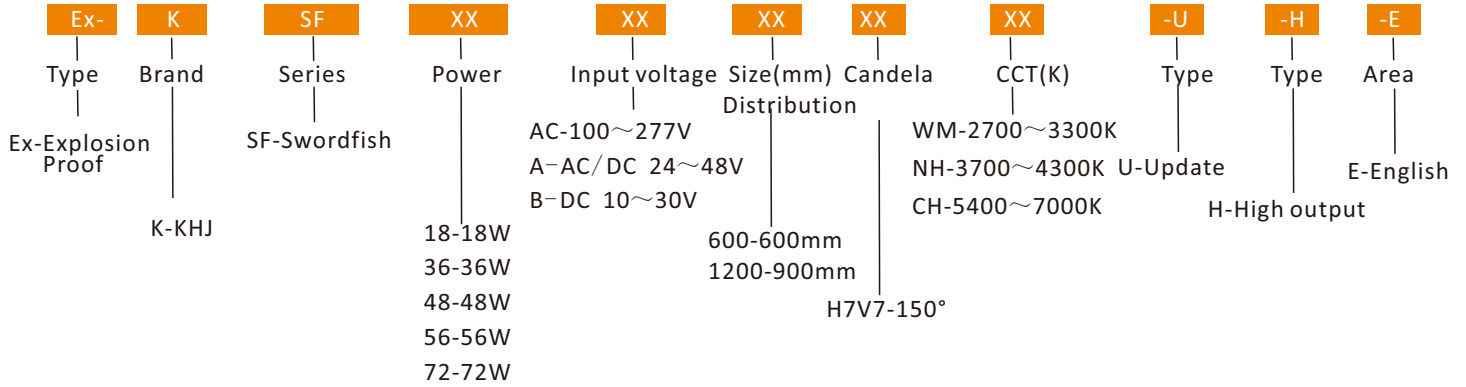


Characteristic details

★ PERFORMANCE PARAMETER



Product Definition



Electrical Parameter:

Product type	Rated input voltage (VAC)	Rated input voltage (VDC)	Rated input current (A)	Frequency (Hz)	Rated power (W)	LED input current (mA)	PF	THD
Ex-KSF18600	100~277	/	0.18~0.07	50/60	18	60	> 0.98	<10%
Ex-KSF18A600	24~48	24~48	0.77~0.38	/	18	60	/	/
Ex-KSF18B600	/	10~30	1.84~0.61	/	18	60	/	/
Ex-KSF36600	100~277	/	0.37~0.13	50/60	36	60	> 0.98	<10%
Ex-KSF36A600	24~48	24~48	1.53~0.77	/	36	60	/	/
Ex-KSF36B600	/	10~30	3.67~1.22	/	36	60	/	/
Ex-KSF48600	100~277	/	0.49~0.18	50/60	48	60	> 0.98	<10%
Ex-KSF48A600	24~48	24~48	2.04~1.02	/	48	60	/	/
Ex-KSF48B600	/	10~30	4.9~1.63	/	48	60	/	/
Ex-KSF361200	100~277	/	0.37~0.13	50/60	36	60	> 0.98	<10%
Ex-KSF36A1200	24~48	24~48	1.53~0.77	/	36	60	/	/
Ex-KSF36B1200	/	10~30	3.67~1.22	/	36	60	/	/
Ex-KSF481200	100~277	/	0.49~0.18	50/60	48	60	> 0.98	<10%
Ex-KSF48A1200	24~48	24~48	2.04~1.02	/	48	60	/	/
Ex-KSF48B1200	/	10~30	4.9~1.63	/	48	60	/	/
Ex-KSF561200	100~277	/	0.57~0.21	50/60	56	65	> 0.98	<10%
Ex-KSF56A1200	24~48	24~48	2.38~1.19	/	56	65	/	/
Ex-KSF56B1200	/	10~30	5.71~1.9	/	56	65	/	/
Ex-KSF721200	100~277	/	0.73~0.27	50/60	72	60	> 0.98	<10%
Ex-KSF72A1200	24~48	24~48	3.06~1.53	/	72	60	/	/
Ex-KSF72B1200	/	10~30	7.35~2.45	/	72	60	/	/

★ PERFORMANCE PARAMETER



Performance Parameter

Product type	P/N	Color temp.	CCT(K)	CRI	Luminous flux(lm)	Beam angle (°)
Ex-KSF18*600	Ex-KSF18*600H7V7WM-U-H-E	Warm white	2700~3300	80	1900	150
	Ex-KSF18*600H7V7NH-U-H-E	Natural white	3700~4300	80	2376	150
	Ex-KSF18*600H7V7CH-U-H-E	Cool white	5400~7000	80	2376	150
Ex-KSF36*600	Ex-KSF36*600H7V7WM-U-H-E	Warm white	2700~3300	80	3801	150
	Ex-KSF36*600H7V7NH-U-H-E	Natural white	3700~4300	80	4752	150
	Ex-KSF36*600H7V7CH-U-H-E	Cool white	5400~7000	80	4752	150
Ex-KSF48*600	Ex-KSF48*600H7V7WM-U-H-E	Warm white	2700~3300	80	5068	150
	Ex-KSF48*600H7V7NH-U-H-E	Natural white	3700~4300	80	6336	150
	Ex-KSF48*600H7V7CH-U-H-E	Cool white	5400~7000	80	6336	150
Ex-KSF36*1200	Ex-KSF36*1200H7V7WM-U-H-E	Warm white	2700~3300	80	3801	150
	Ex-KSF36*1200H7V7NH-U-H-E	Natural white	3700~4300	80	4752	150
	Ex-KSF36*1200H7V7CH-U-H-E	Cool white	5400~7000	80	4752	150
Ex-KSF48*1200	Ex-KSF48*1200H7V7WM-U-H-E	Warm white	2700~3300	80	5068	150
	Ex-KSF48*1200H7V7NH-U-H-E	Natural white	3700~4300	80	6336	150
	Ex-KSF48*1200H7V7CH-U-H-E	Cool white	5400~7000	80	6336	150
Ex-KSF56*1200	Ex-KSF56*1200H7V7WM-U-H-E	Warm white	2700~3300	80	5913	150
	Ex-KSF56*1200H7V7NH-U-H-E	Natural white	3700~4300	80	7392	150
	Ex-KSF56*1200H7V7CH-U-H-E	Cool white	5400~7000	80	7392	150
Ex-KSF72*1200	Ex-KSF72*1200H7V7WM-U-H-E	Warm white	2700~3300	80	7603	150
	Ex-KSF72*1200H7V7NH-U-H-E	Natural white	3700~4300	80	9504	150
	Ex-KSF72*1200H7V7CH-U-H-E	Cool white	5400~7000	80	9504	150

Remarks: *Stands for Rated input voltage, including Default -AC-100~277V,A-AC/DC 24~48V,B-DC 10~30V.

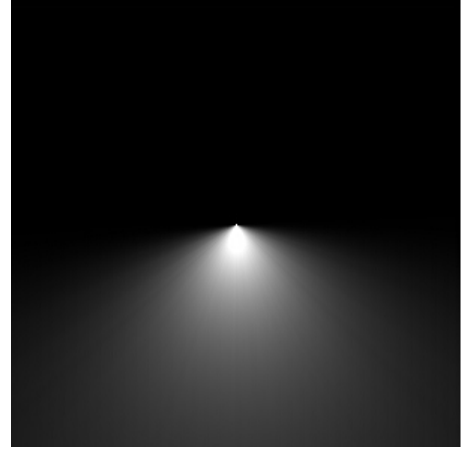
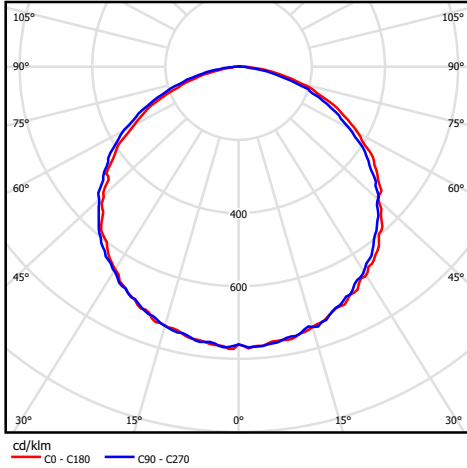
Other parameter

Product type	Size (mm)	Weight (Kg)	Ambient temp (°C)	Max. surface temp.(test in 25°C)	Temp.classification	IP Code	Insulation
Ex-KSF18600*-U	600*136*85	6.4	-20~+55	33	T6	IP66	I
Ex-KSF36600*-U	600*136*85	6.4	-20~+55	37	T6	IP66	I
Ex-KSF48600*-U	600*136*85	6.4	-20~+55	48	T6	IP66	I
Ex-KSF361200*-U	900*136*85	8.7	-20~+55	37	T6	IP66	I
Ex-KSF481200*-U	900*136*85	8.7	-20~+55	39	T6	IP66	I
Ex-KSF561200*-U	900*136*85	8.7	-20~+55	42	T6	IP66	I
Ex-KSF721200*-U	900*136*85	8.7	-20~+55	46	T6	IP66	I

★ INSTALLATION METHOD



Candela Distribution



Installation method

Unit : mm

	L(Max)	L(Min)
0.6M	550	500
0.9M	850	500

Pipe clamp

Unit : mm

	L(Max)	L(Min)
0.6M	625	575
0.9M	925	575

Wall mount

Unit : mm

	L(Max)	L(Min)
0.6M	625	575
0.9M	925	575

Stanchion mount

Unit : mm

	L(Max)	L(Min)	T(Max)	T(Min)
0.6M	620	570	40	5
0.9M	920	570		

Clamp mount

Unit : mm

	L(Max)	L(Min)
0.6M	550	500
0.9M	850	500

Ceiling Mount

Unit : mm

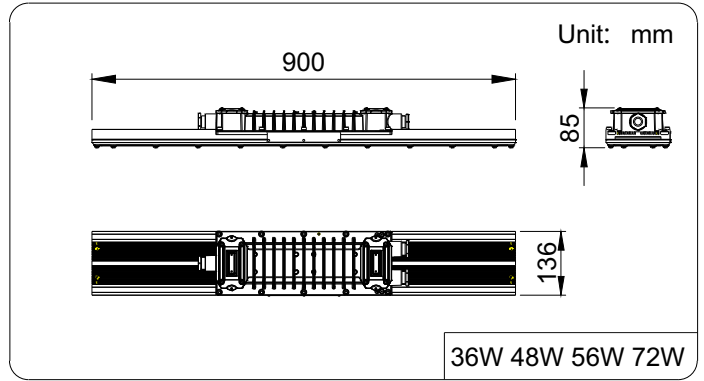
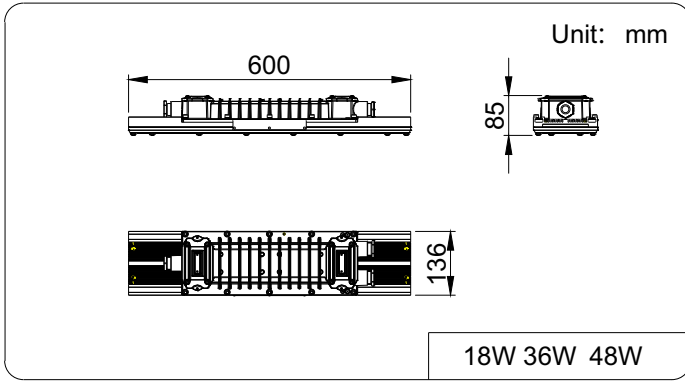
	L(Max)	L(Min)
0.6M	550	500
0.9M	850	500

Pendant Mount

★ ACCESSORIES



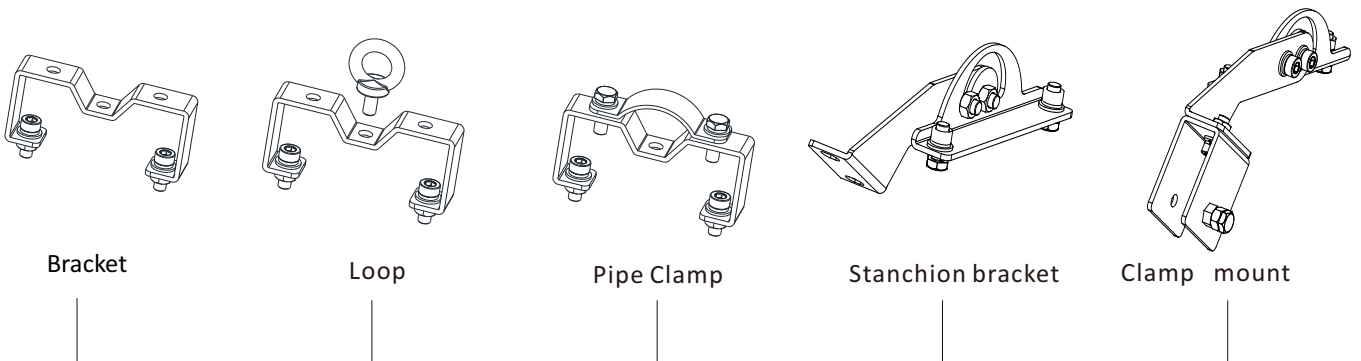
Size



Optional parts

NO.	Installation accessories	Material	Weight (Unit: kg)	QTY	Remarks
1	Bracket	Q235	0.8	2	/
2	Loop	Q235	1.2	2	/
3	Pipe Clamp	Q235	1.8	2	/
4	Stanchion bracket	Q235	2.6	2	/
5	Clamp mount	Q235	3.0	2	/

Accessories



Optional Parts

Caution

- 1.To avoid the risk of fire, explosion, or electric shock, this product should be installed, inspected, and maintained by a qualified electrician only, in accordance with all applicable electrical codes.
- 2.To avoid electric shock:
Be certain electrical power is OFF before and during installation and maintenance.
Luminaire must be supplied by a wiring system with an equipment grounding conductor.
- 3.To avoid burning hands:
Make sure lens and housing are cool when performing maintenance.
- 4.To avoid explosion:
 - 1)Make sure the supply voltage is the same as the luminaire voltage.
 - 2)Do not install where the marked operating temperatures exceed the ignition temperature of the hazardous atmosphere.
 - 3)Do not operate in ambient temperatures above those indicated on the luminaire nameplate.
 - 4)All gasket seals must be clean.
 - 5)Before opening, electrical power to the luminaire must be turned off. Keep tightly closed when in operation.

Package Check

1. Check the carton and all the components according to the packing list.
- 2.Make sure the product is in good conditions.

Transportation

Please keep this product from heavy mechanical shock, exposure to strong sunshine, throwing, rolling and stress during transport

Storage

Kept in dry,clean and well-ventilated ,non-corrosive medium warehouse,the ambient temperature should be -40°C to 55°C.

After-sales service

Installation and maintenance must be according to the instruction.
If customer can not deal with it by themselves ,please contact with sales department.

Contact

Chin Power LTD. -----
Address: 2/219-220 Phaholyothin Rd., Samsannai, Phayathai, Bangkok, Thailand 10400

Tel: +66-2615-0660
E-mail: info@chinpower.net

Fax: +66-2615-0550
Web: www.chinpower.net