

## LED Explosion Proof Light

**ATEX & IECEx Certified LED Floodlight/bay light/platform light in Hazardous Area.**

**Forest Frog Series**

- ⊕ II 2 G Ex db op is IIC T\* Gb
- ⊕ II 2 D Ex tb op is IIIC T\* Db





## Features And Benefits:

- High efficacy LED Source with long lifespan >50,000 hours
- 5-year performance warranty
- Low THD around 10%, Less interference
- 5KV Surge Protection
- Robust aluminium housing and strong tempered glass
- Vibration and shock resistant
- Low maintenance

## Applications:



Oil & Gas Exploration



Drilling



Oil Refinery



Petrochemical Plant



Power Plant



Pharmaceutical Plant



ATEX & IECEx Certified LED Floodlight/bay light/platform light in Hazardous Area.

# LED Floodlight/bay light/platform light

## Standard & Certificate:

Ex Mark:	Gas:  II2 G Ex db op is IIC T* Gb Dust:  II2 D Ex tb op is IIIC T* Db
Certificate:	<ul style="list-style-type: none"> <li>• ATEX Certification NO.:EPT 18 ATEX 2977 X</li> <li>• IECEx Certification NO.:IECEx CQM 15.0039X</li> </ul>
Executive Standard:	<ul style="list-style-type: none"> <li>• EN 60079-0:2012</li> <li>• EN 60079-1:2014</li> <li>• EN 60079-7:2015</li> <li>• EN 60079-28:2015</li> <li>• EN 60079-31:2014</li> <li>• IEC 60079-0:2011</li> <li>• IEC 60079-1:2007-04</li> <li>• IEC 60079-31:2008</li> <li>• EN 55015:2013</li> <li>• +A1:2015</li> <li>• EN 61547:2009</li> <li>• EN 61000-3-2:2014</li> <li>• EN 61000-3-3:2013</li> <li>• EN 60598-1:2015</li> <li>• EN 60598-2-5:2015</li> <li>• CE</li> <li>• ABS</li> <li>• RoHS</li> <li>• IEC 62321-4:2013</li> <li>• +AMD1:2017</li> <li>• IEC 62321-5:2013</li> <li>• IEC 62321-6:2015</li> <li>• IEC 62321-7-1:2015</li> <li>• IEC 62321-7-2:2017</li> <li>• IEC 62321-8:2017</li> </ul>
Classification:	<ul style="list-style-type: none"> <li>• Group II Zone 1 &amp; 21 and 2 &amp; 22</li> </ul>

## Electrical & Photometric Features:

Luminaire Efficacy:	140lm/W
Lifespan:	>50,000 hours
Operating Voltage:	24-48 VAC/100-277 VAC 10-30 VDC/24-48 VDC/141-392 VDC
Power(W):	30W/45W/60W
Frequency:	50/60Hz
Power Factor:	>0.98
THD:	<10%
Insulation Class:	I
Surge Protection:	5KV
LED Driver:	Over voltage protection/short circuit protection

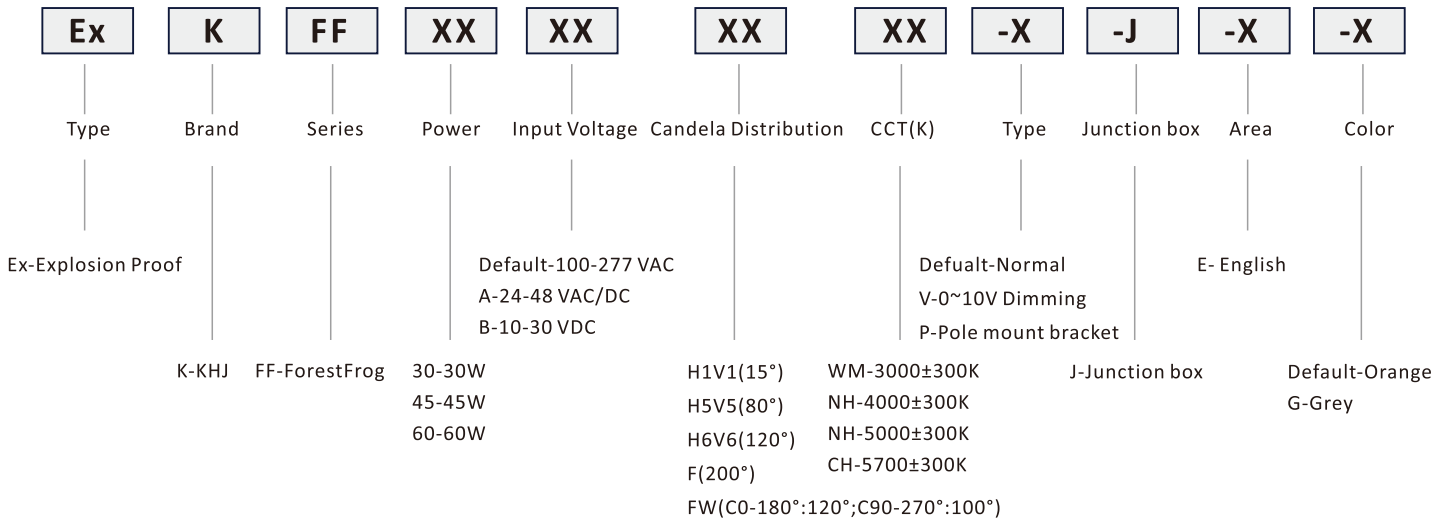
## Mechanical Features:

Weight:	3.3Kg
Size:	φ 220*191mm
Ambient Temperature:	-40°C-+55°C
Connecting Terminals:	3*1.0-4mm <sup>2</sup> (L+N+PE)
Available cable outer diameter:	φ7-φ14(mm)
Cable Entries:	1XNPT 3/4" (M20*1.5, M25*1.5 are optional)
Earthing Protection:	M4 (Internal & external earth bolts)
IP Code:	IP66
Enclosure Material:	Die-casting aluminium alloy
Enclosure Colour:	Orange,RAL2011(optional grey RAL7040)
Coating:	Epoxy powder coating
Exposed Fastener:	Stainless steel
Protective Cover:	Tempered glass,Stand 7J impact



ATEX & IECEx Certified LED Floodlight/bay light/platform light in Hazardous Area.

## Production Definition

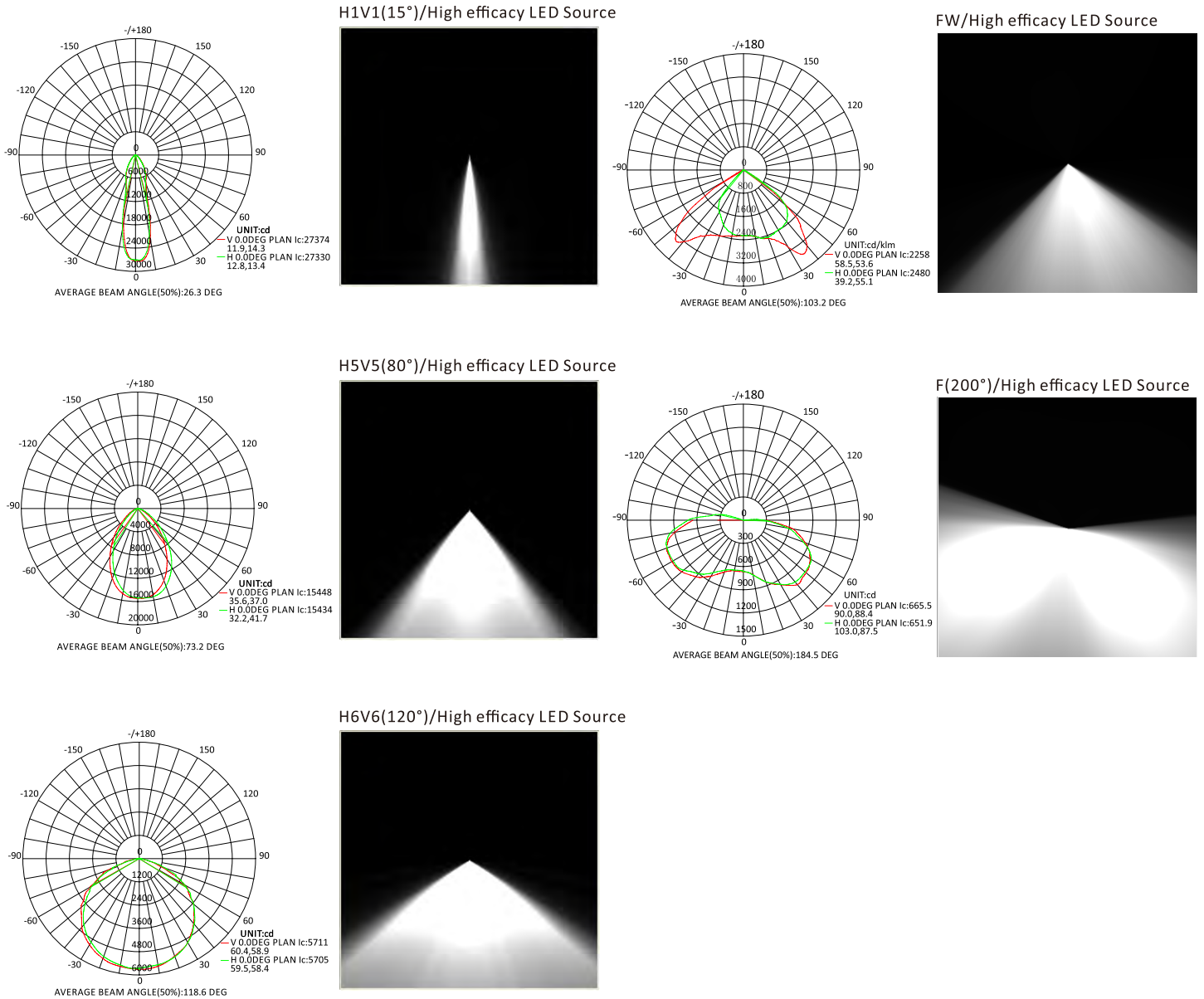


## Ordering information

P/N	Operating Voltage(V)	Luminous Flux(lm)	Power(W)	CRI	Color Temp.	CCT(K)	Temp. Classification	
							-40℃~+40℃	-40℃~+55℃
Ex-KFF30*WM-J-E	100~277 AC (141~392 DC)	3780	30	70	Warm white	3000±300	T6	T5
Ex-KFF30*NH-J-E		4095	30	70	Natural white	4000±300	T6	T5
Ex-KFF30*NH-J-E		4095	30	70	Natural white	5000±300	T6	T5
Ex-KFF30*CH-J-E		4095	30	70	Cool white	5700±300	T6	T5
Ex-KFF45*WM-J-E		5670	45	70	Warm white	3000±300	T6	T5
Ex-KFF45*NH-J-E		6142	45	70	Natural white	4000±300	T6	T5
Ex-KFF45*NH-J-E		6142	45	70	Natural white	5000±300	T6	T5
Ex-KFF45*CH-J-E		6142	45	70	Cool white	5700±300	T6	T5
Ex-KFF60*WM-J-E		7560	60	70	Warm white	3000±300	T5	T4
Ex-KFF60*NH-J-E		8190	60	70	Natural white	4000±300	T5	T4
Ex-KFF60*NH-J-E		8190	60	70	Natural white	5000±300	T5	T4
Ex-KFF60*CH-J-E		8190	60	70	Cool white	5700±300	T5	T4

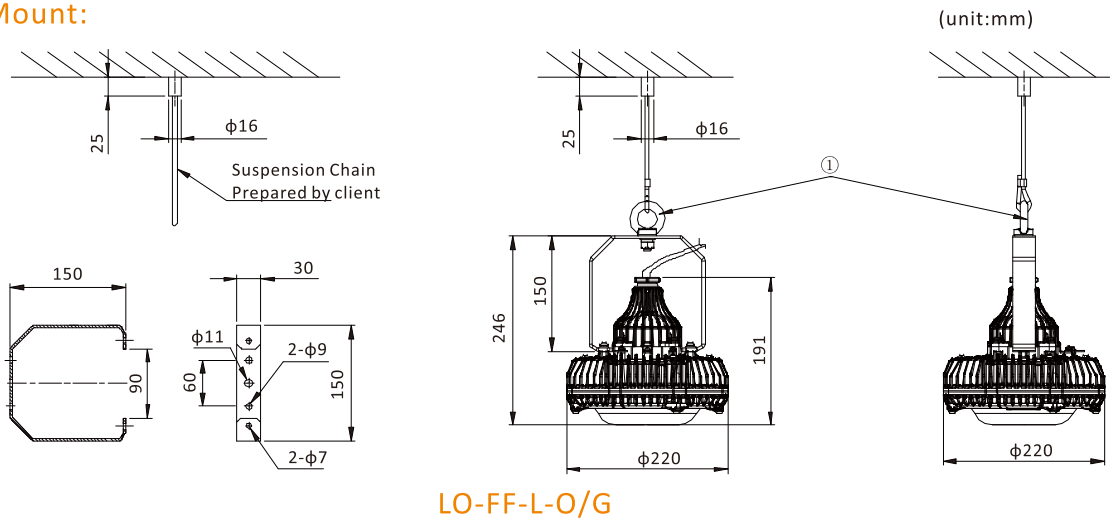
Remarks: 1、\*Stands for candela distribution, including H1V1 / H5V5 / H6V6/F/FW;  
 2、For beam angle H1V1/H5V5,the luminous flux will be 8% less;  
 3、For beam angle FW/F,the luminous flux will be 25% less.

## Candela Distribution

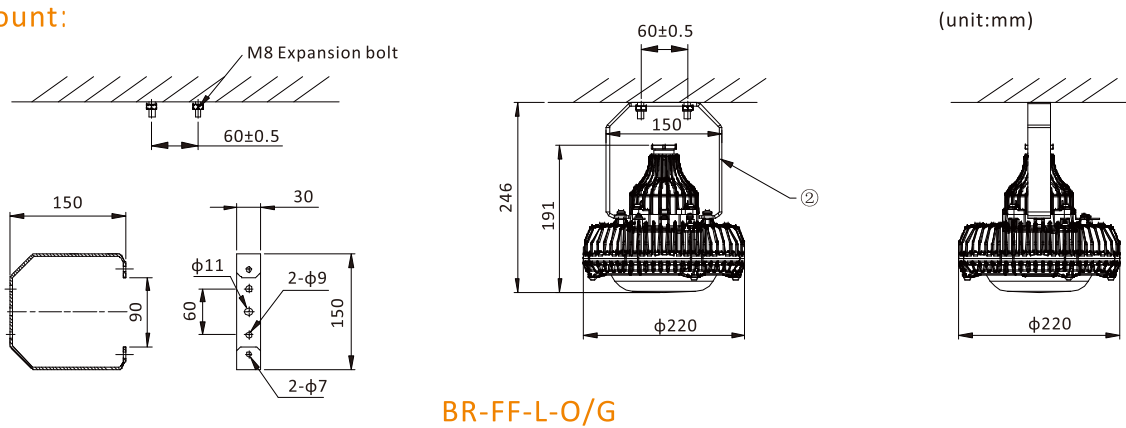


## Installation Method

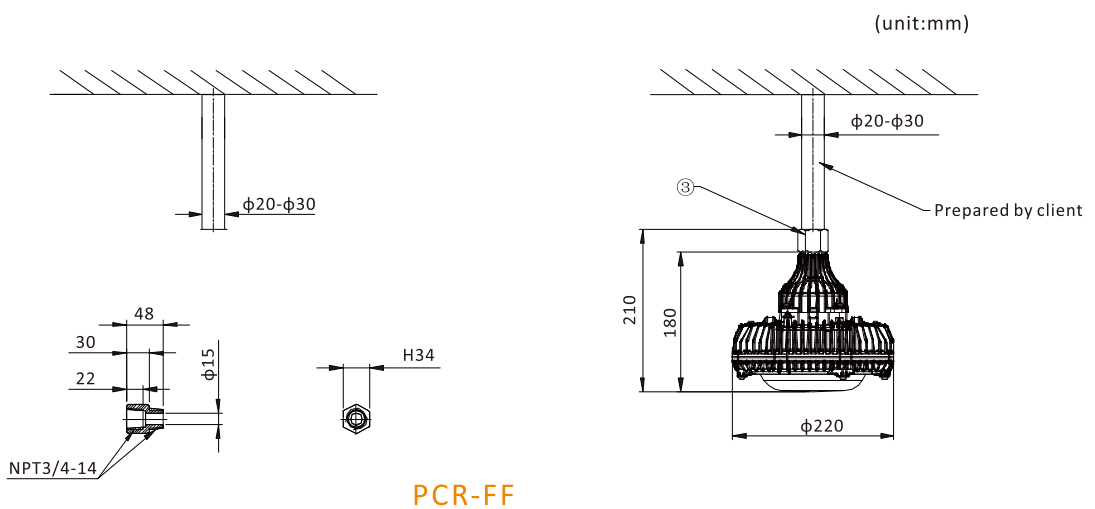
### Pendant Mount:



### Ceiling Mount:

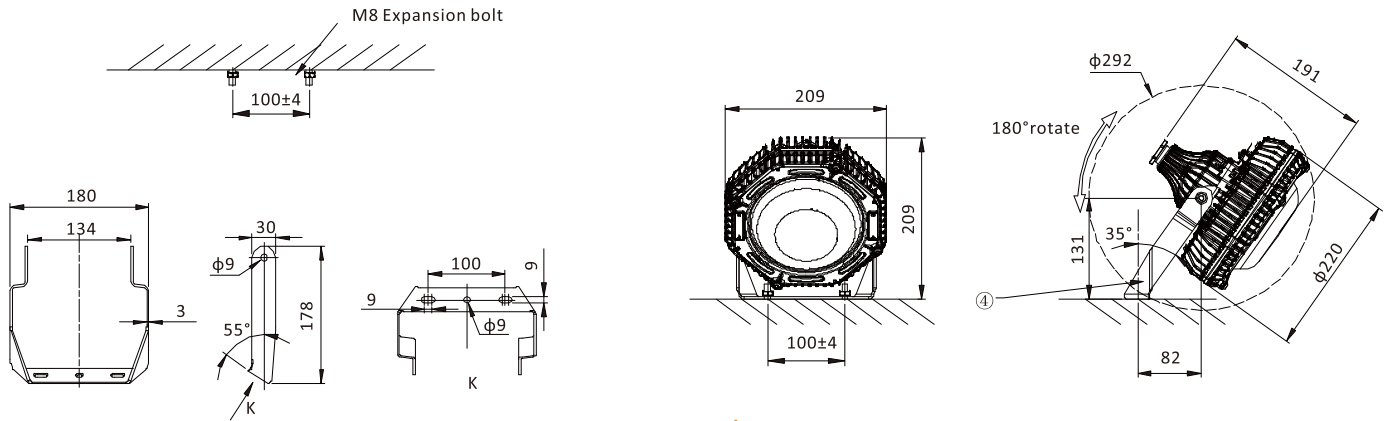


### Pipe Mount:



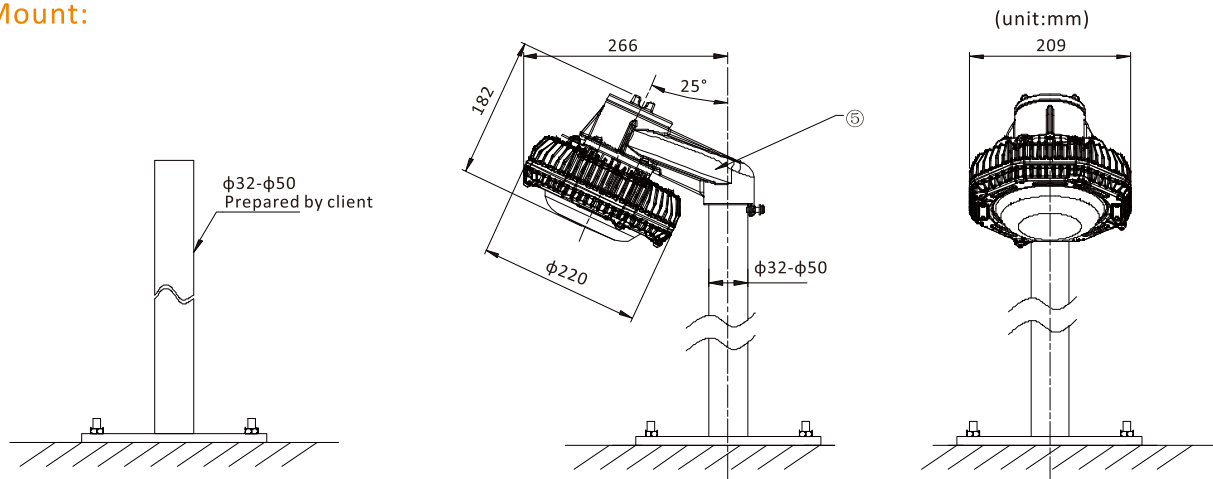
## Installation Method

### Stanchion Mount:



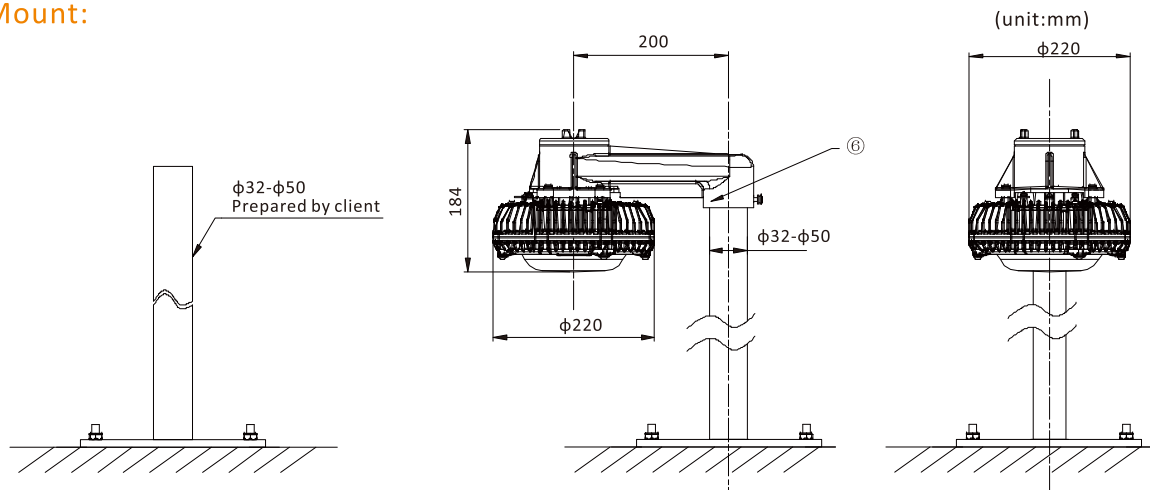
SBT-FF-O/G

### Pole Mount:



SBT2-FF-O/G-25-\*

### Pole Mount:



SBT2-FF-O/G-0-\*

## Optional Parts

No.	Installation accessories	Part No.	Picture	Material	Weight(Kg)	QTY	Remark
1	Bracket	BR-FF-L-O/G		Q235	0.24	1	Ceiling mount
2	Loop	LO-FF-L-O/G		Q235	0.36	1	pendant mount
3	Stanchion bracket	SBT-FF-O/G		Q235	0.47	1	Stanchion mount
4	Pipe connector	PCR-FF-N PCR-FF-M		SUS304	0.28	1	Pipe mount
5	Guard	GU-FF		SUS304	0.13	1	/
6	25° Pole mount bracket	SBT2-FF-O/G-25-*		ADC12	1.14	1	Pole mount
7	0° Pole mount bracket	SBT2-FF-O/G-0-*		ADC12	1.34	1	Pole mount